

Required Tools	
LASER LEVEL	
CHALK LINE	
SCREW GUN	
NAIL-SET	
MITER SAW	
MAGIC MARKER	
GLASS SUCTION CUP	

### LAYOUT & INSTALLATION STEPS

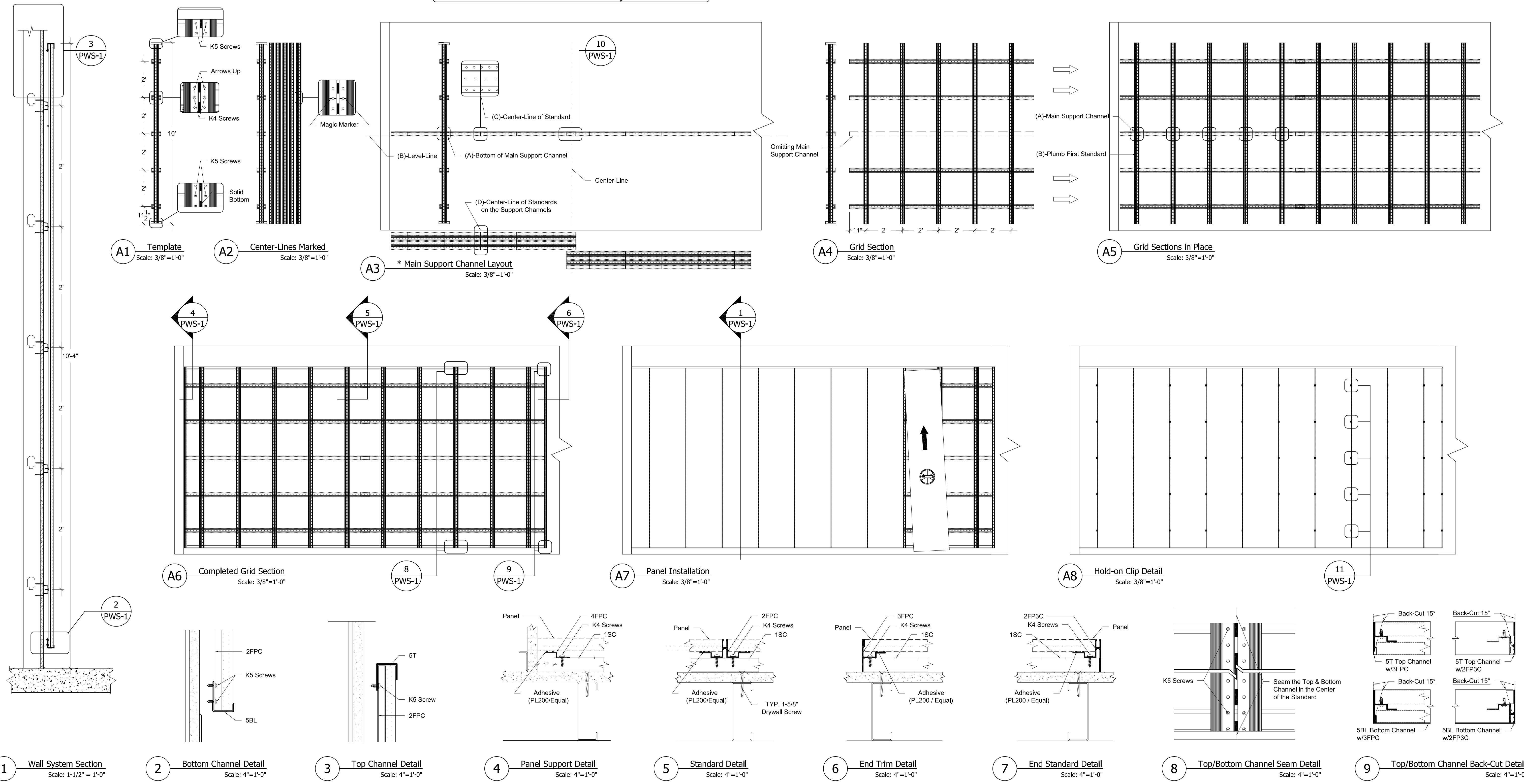
A1	BUILD THE TEMPLATE USING (1) OF THE FIELD STANDARDS AND THE TEMPLATE PARTS. (See Detail A1)	A5	(A)-LIFT GRID SECTIONS IN PLACE AND ATTACH THE STANDARDS TO THE MAIN SUPPORT CHANNEL ONLY.
A2	TRANSFER CENTER-LINES OF THE SUPPORT CHANNEL ONTO THE STANDARDS. (Use Black Magic Marker)	A6	(B)-PLUMB THE FIRST STANDARD AND ATTACH ALL OTHER SUPPORT CHANNELS TO EACH OTHER, THEN THE WALL. (See Detail 5)
A3	(A)-USE THE TEMPLATE AND MARK THE BOTTOM OF MAIN SUPPORT CHANNEL ON THE WALL. (Refer to PWS-2 for all layout details)	A6	(A)-ATTACH PANEL SUPPORTS, END TRIMS OR END STANDARDS TO THE SUPPORT CHANNELS. (See Details 4, 6, 7)
A3	(B)-SNAP A LEVEL LINE AND INSTALL THE MAIN SUPPORT CHANNEL ABOVE THE LINE.	A6	(B)-ATTACH TOP AND BOTTOM CHANNELS. (See Details 2, 3, 9)
A3	(C)-MARK THE CENTER-LINE OF THE STANDARDS ON THE MAIN SUPPORT CHANNEL.	A7	(A)-APPLY ADHESIVE TO STANDARDS, PANEL SUPPORTS, END TRIMS OR END STANDARDS. (See Details 4, 5, 6, 7)
A3	(D)-TRANSFER CENTER-LINE MARKS FROM THE MAIN SUPPORT CHANNEL TO THE OTHER SUPPORT CHANNELS.	A7	(B)-LIFT PANELS INTO PLACE AND DOWN INTO POSITION WITH A GLASS SUCTION CUP TOOL. (See Detail A7)
A4	USING THE TEMPLATE AS A GUIDE, ASSEMBLE THE GRID SECTIONS ON THE FLOOR OMITTING THE MAIN SUPPORT CHANNEL.	A8	INSTALL TEMPORARY HOLD-ON CLIPS FOR 24 HRS., REMOVE THEM AND DISCARD. (See Detail A8)

### GENERAL NOTES

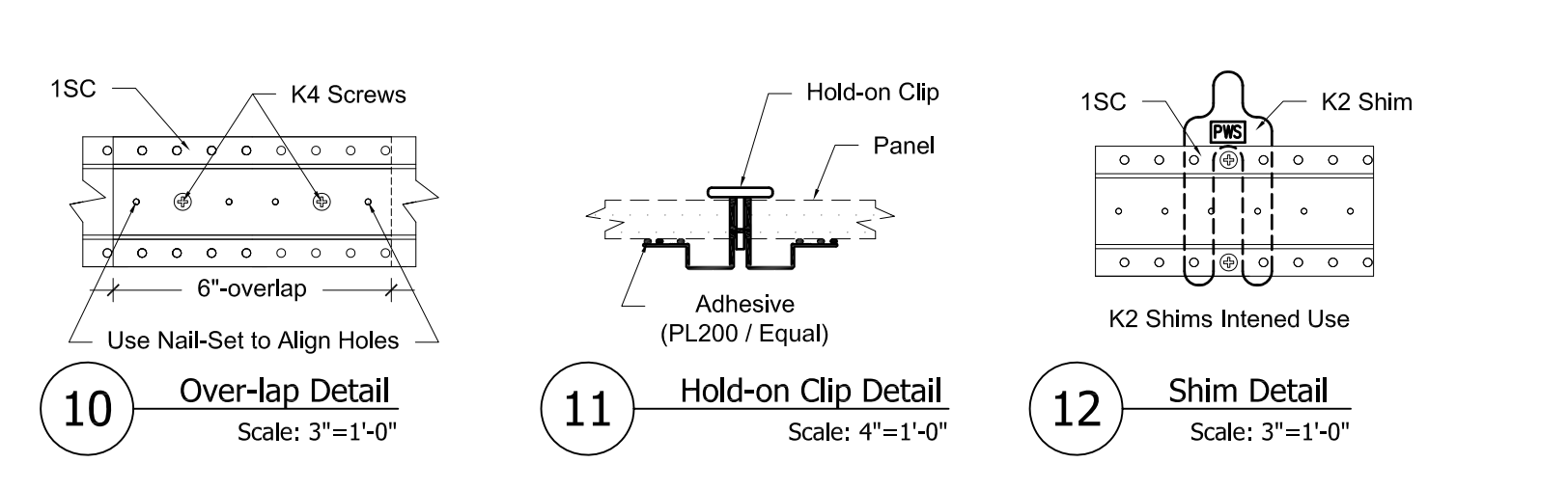
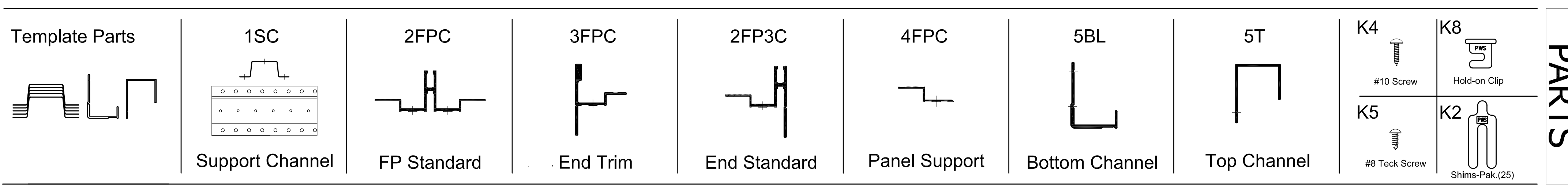
- \* FIND THE HIGH POINT OF THE FLOOR IN THE STORE WERE THE WALL SYSTEM WILL BE INSTALL.
- \* ALL PAZWALL DIMENSIONS ARE CENTER-LINE (c).
- \* ALWAYS REFER TO YOUR ARCHITECTS DRAWINGS FOR LOCATIONS / SIZES / FINISHES.
- \* FIRST TIME INSTALLERS, CALL (631)-420-5959 IF YOU HAVE ANY QUESTIONS OR CONCERNS.

**pazwall**  
BY PAZ SYSTEMS INC.  
THE STANDARD IN RETAIL  
140 FLORIDA STREET  
FARMINGDALE, NY 11735  
P: 631-420-5959 F: 631-420-6948  
WWW.PAZWALL.COM  
PATENTS: 6,860,339 & 6,430,883

\* Refer to PWS-2 for Your Layout Details



PARTS



PAZWALL FP  
FIXED PANEL  
RECESSED STANDARD SYSTEMS

Issue Date: 02/18/2010

Revisions:

Date	Description	By

Project Name:  
Pazwall FP  
Typical Installation Drawing

Drawn By:  
MW

Approved By:

Sheet Title:  
Pazwall Installation Instructions  
Elevation and Detail Sections

Sheet Number:

PWS-1